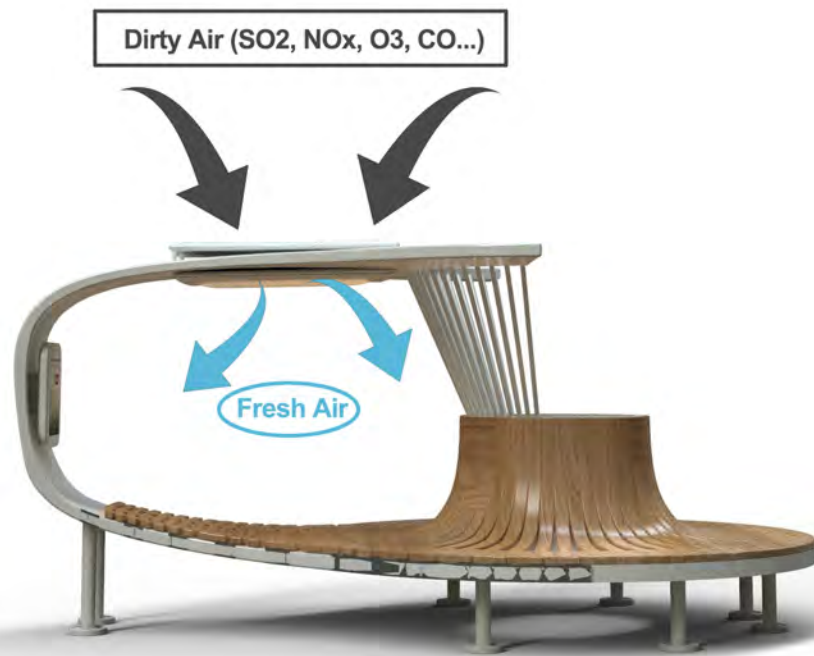


Air Purifying Public Seat Design

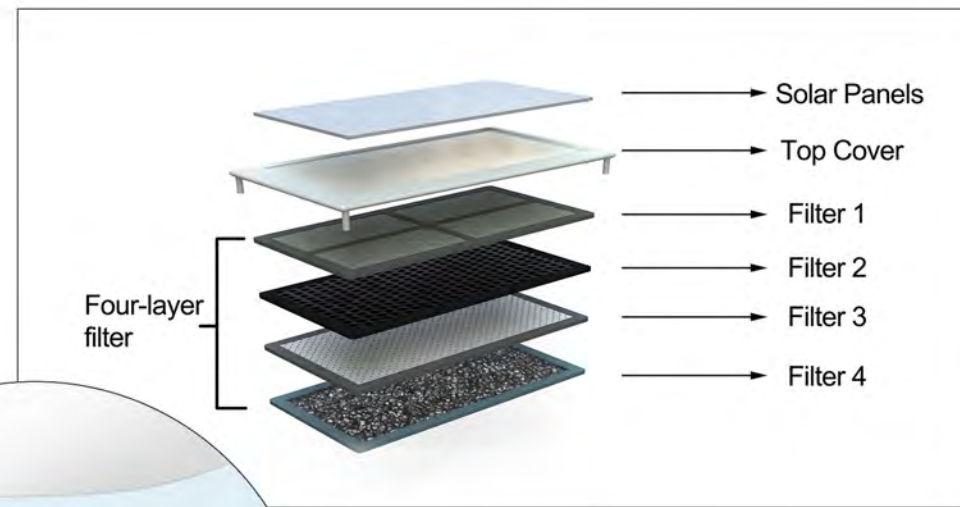


World's Air Pollution Real-time Air Quality Index
PM2.5 (ug/m³): 151
Hazardous

FUNCTIONALITY



Dirty air is sucked in by the air inlet on the top of the seat, and fresh air is evolved from the air purification system and discharged from the air outlet below.



Air Purification System



Interface displayed on the screen

World's Air Pollution: Real-time Air Quality Index

PM2.5 (ug/m3): **15**



Good



World's Air Pollution: Real-time Air Quality Index

PM2.5 (ug/m3): **111**



Unhealthy



World's Air Pollution: Real-time Air Quality Index

PM2.5 (ug/m3): **96**



Moderate



World's Air Pollution: Real-time Air Quality Index

PM2.5 (ug/m3): **151**



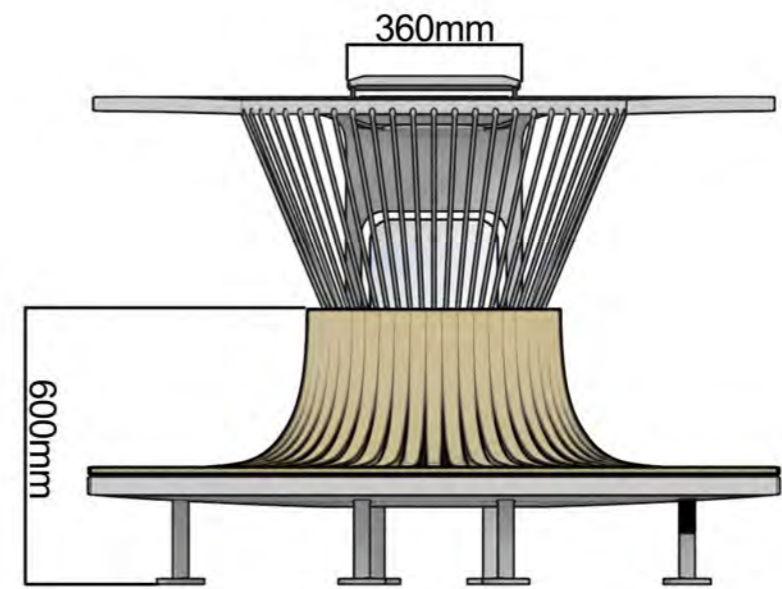
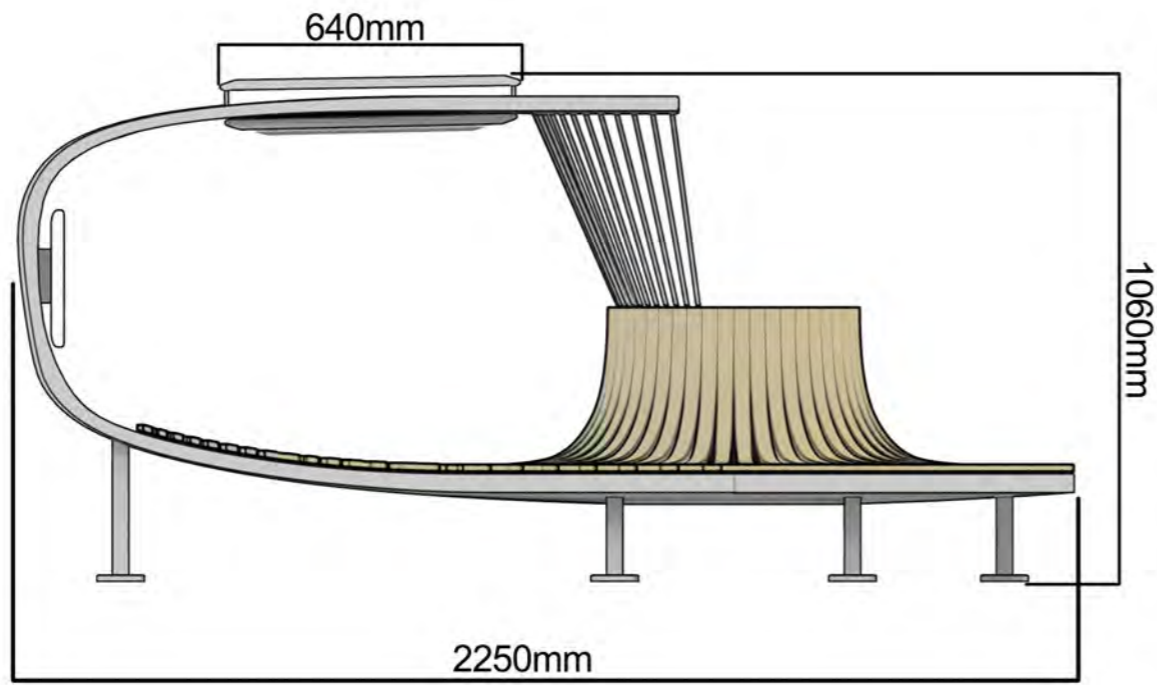
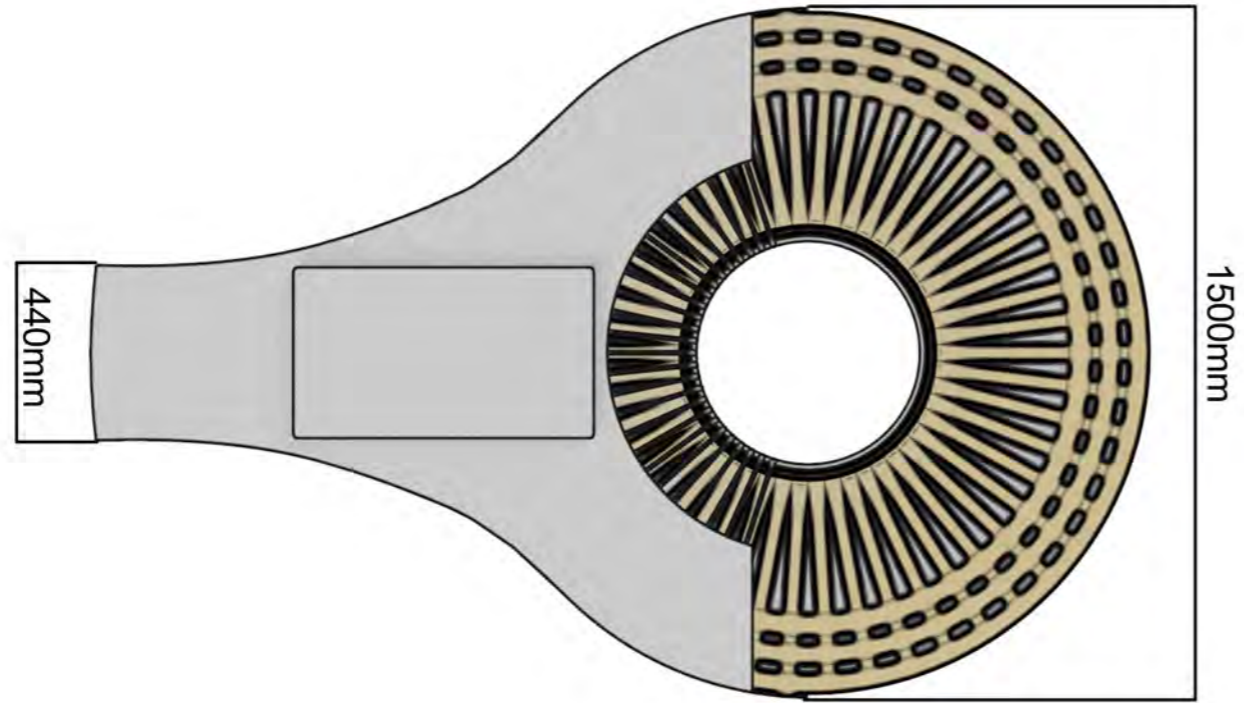
Hazardous



Screen



The seats can be separated if necessary.





World's Air Pollution: Real-time Air Quality Index
PM2.5 (ugm3): 15
😊 Good